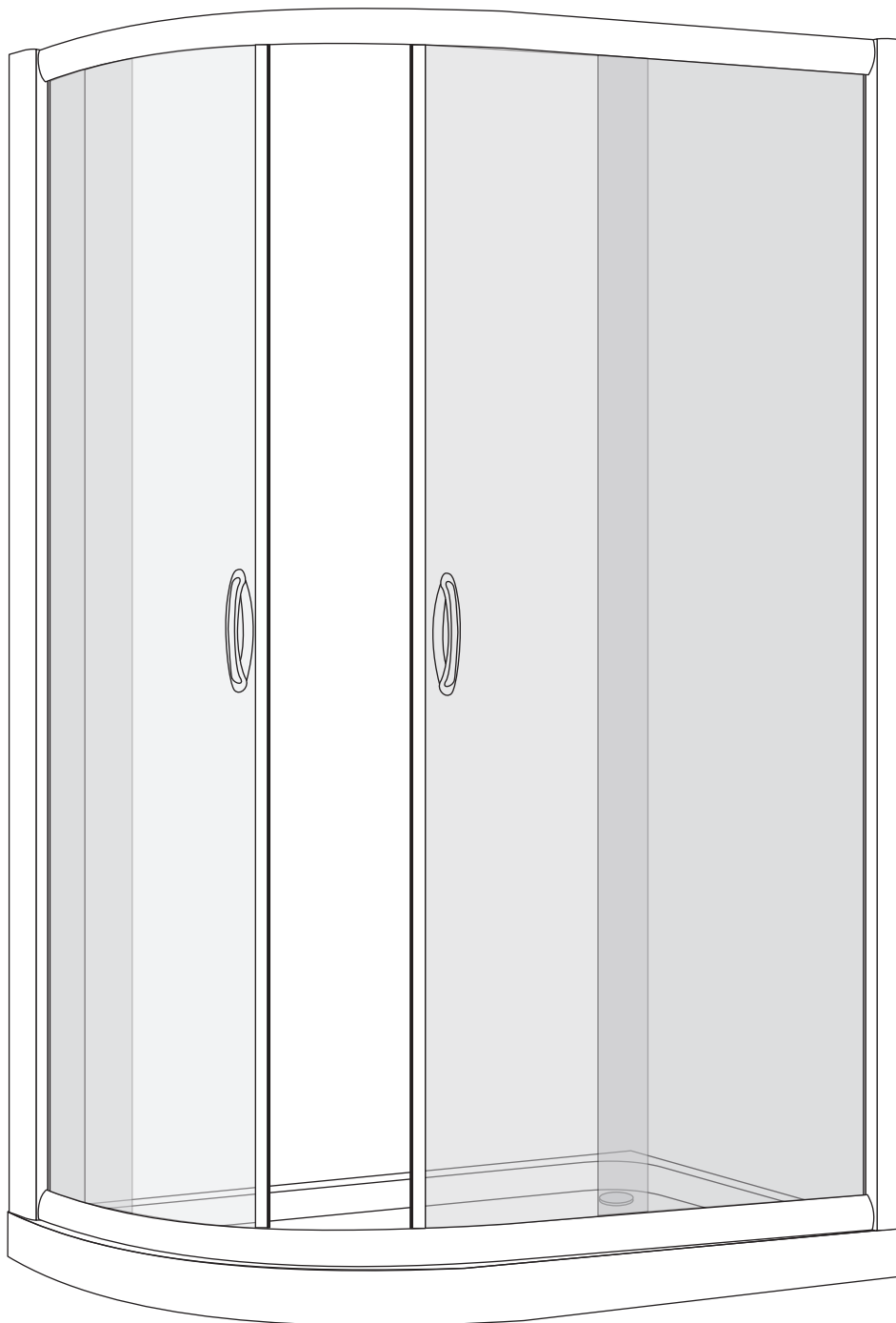


Jump [Right]

Installation Instructions



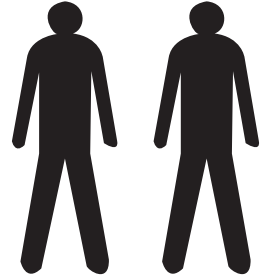
Jump [Right]

Installation Instructions

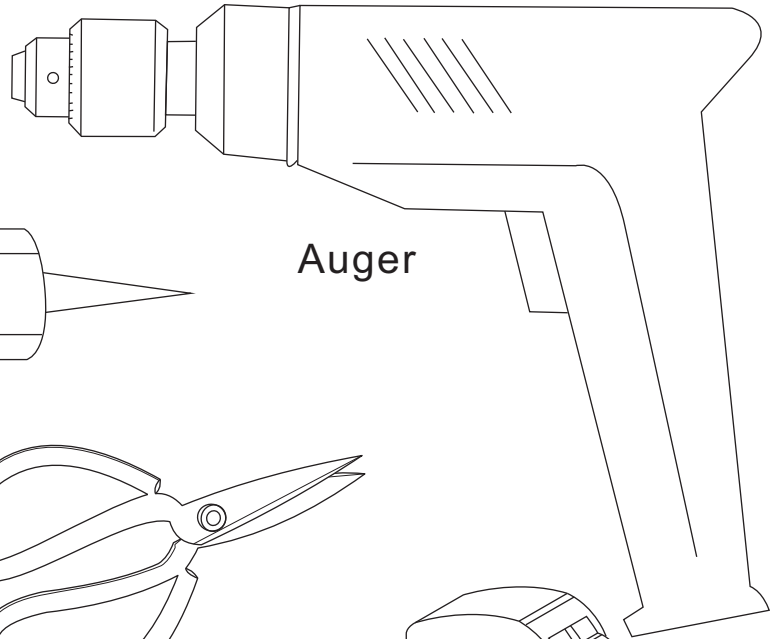
TOOLS REQUIRED(NOT SUPPLIED)

when you're ready to start,make sure that you have the following tools to hand,plenty of space and a clean dry area for assembly.

Two people are needed. Please note:although these instructions are comprehensive,We always recommend that a technically competent installer should undertake installation.

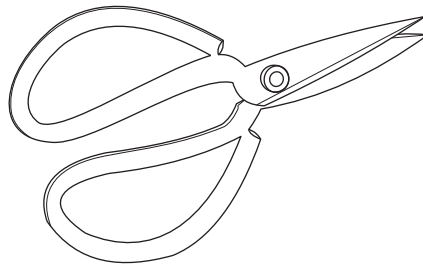
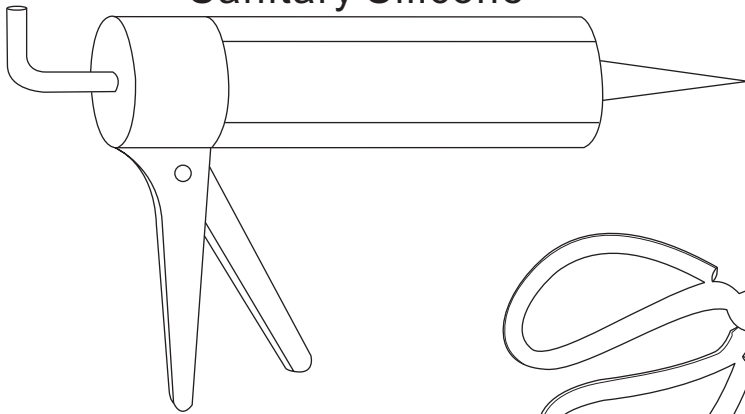


Drill beat head
5. 5mm

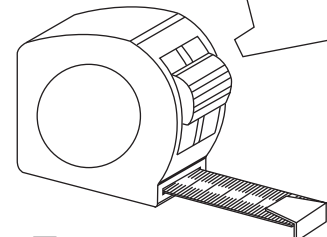


Auger

Sanitary Silicone

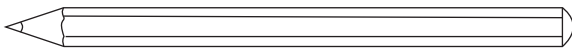


Forfex

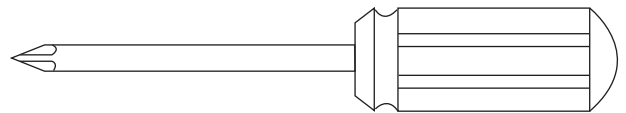


PTFE tape

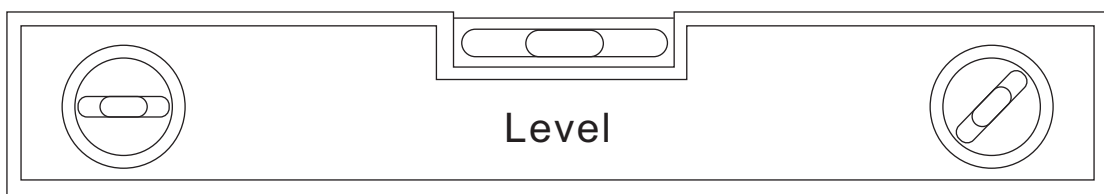
Tape measure



Pencil



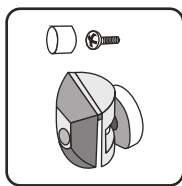
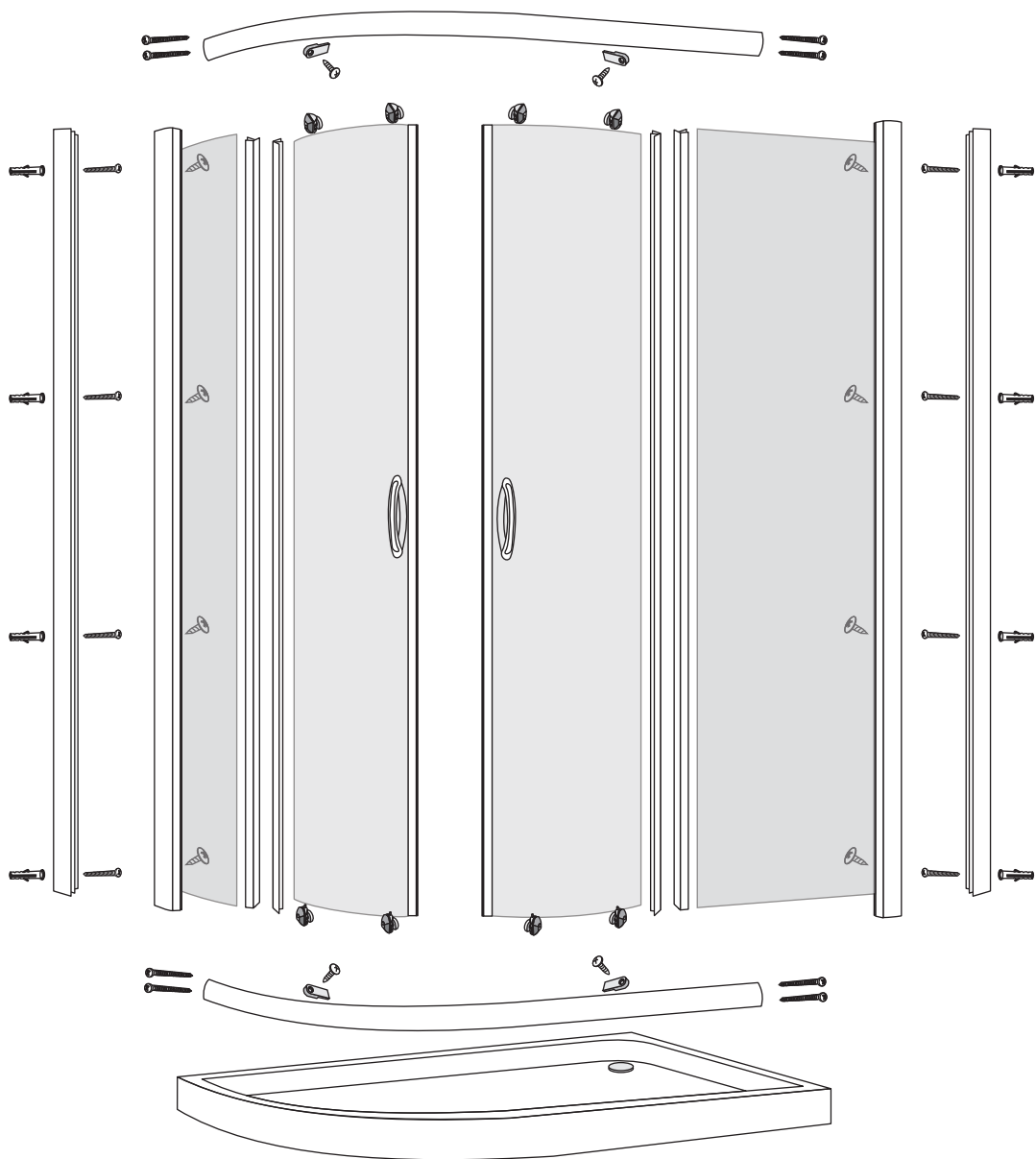
Magnetic crosshead schrewdriver



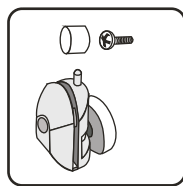
Level

Jump [Right]

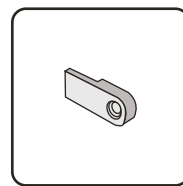
Installation Instructions



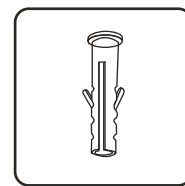
4PCS



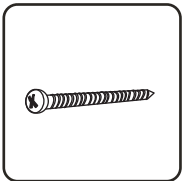
4PCS



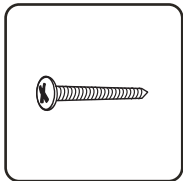
4PCS



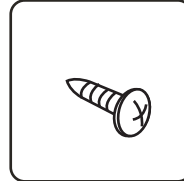
8PCS



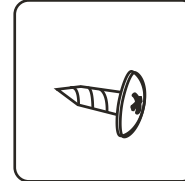
3.5x35mm
8PCS



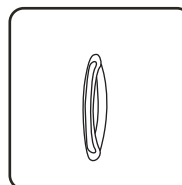
4x25mm
8PCS



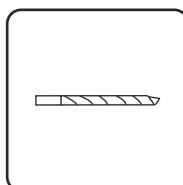
4x10mm
8PCS



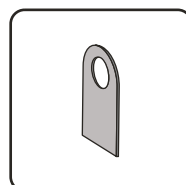
4x10mm big flat head
8PCS



2PCS



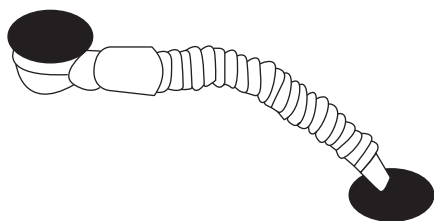
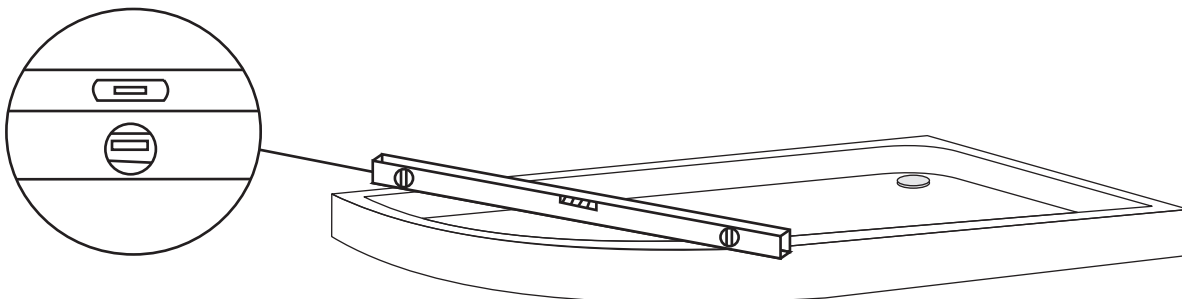
∅ 3mm
1PCS



8PCS

Jump [Right]

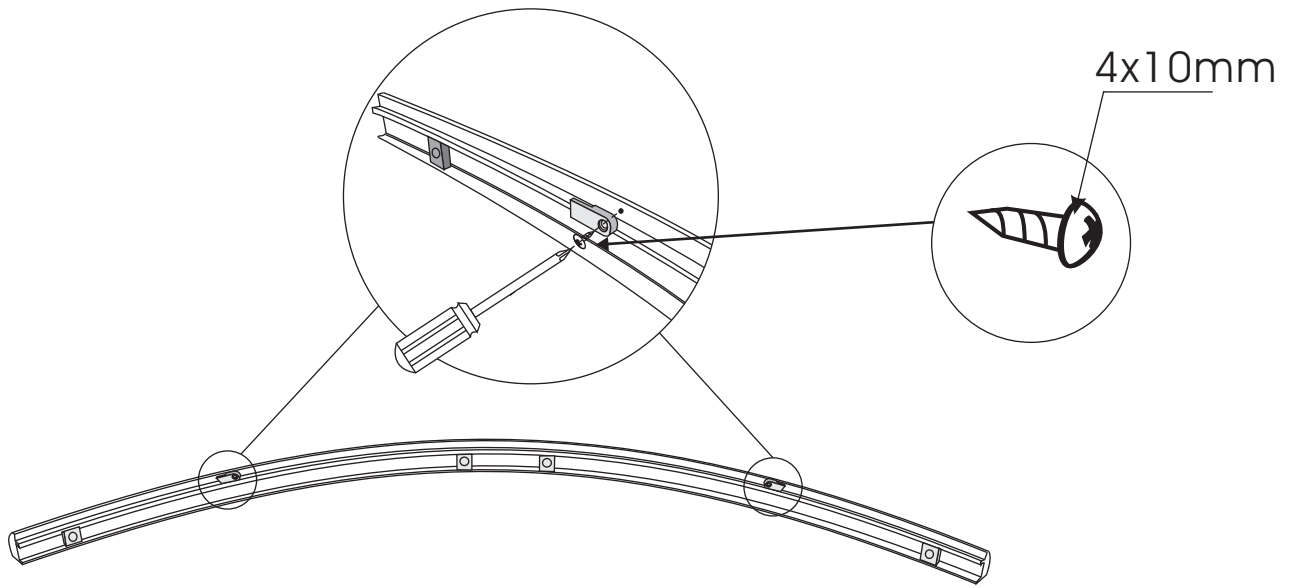
Installation Instructions



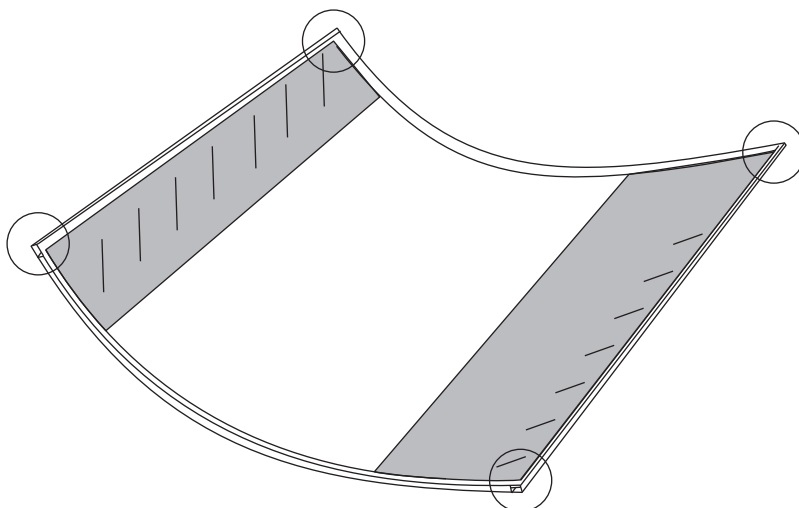
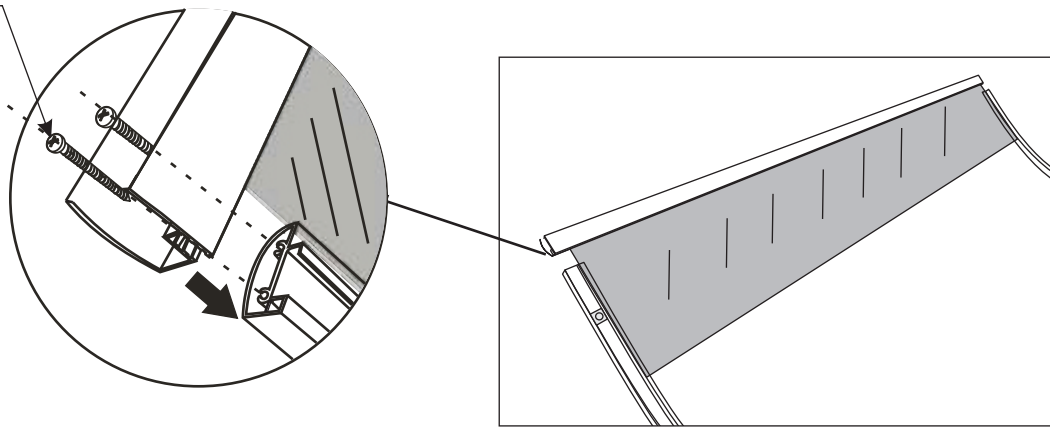
Lift the rear part of bottom basin,
and then insert one end of the
pipe into the drainage hole

Jump [Right]

Installation Instructions

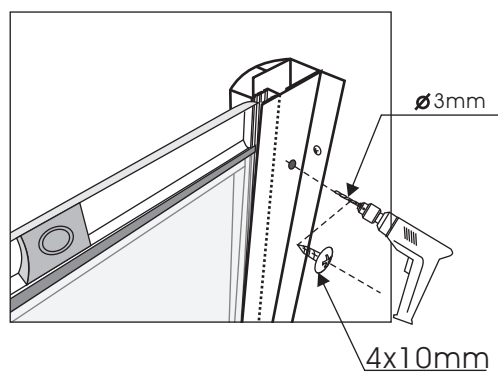
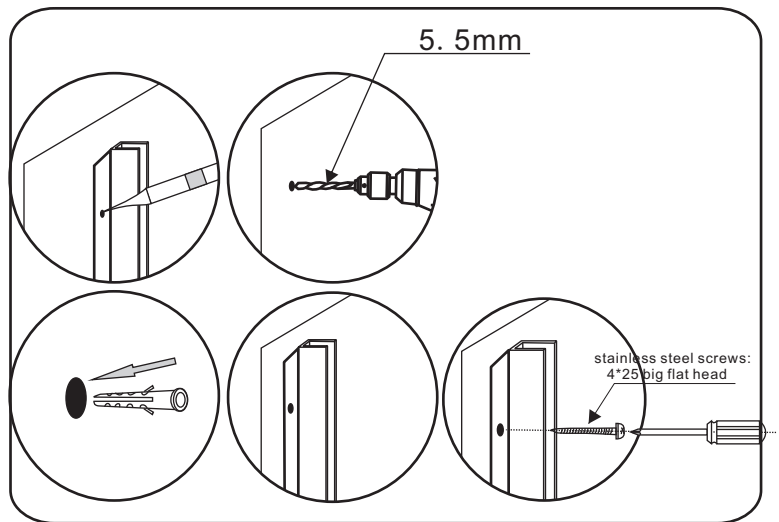
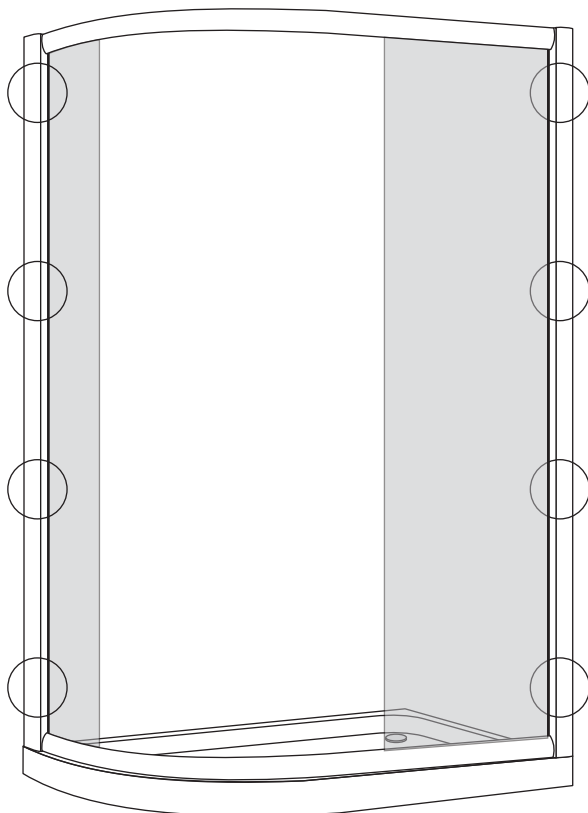
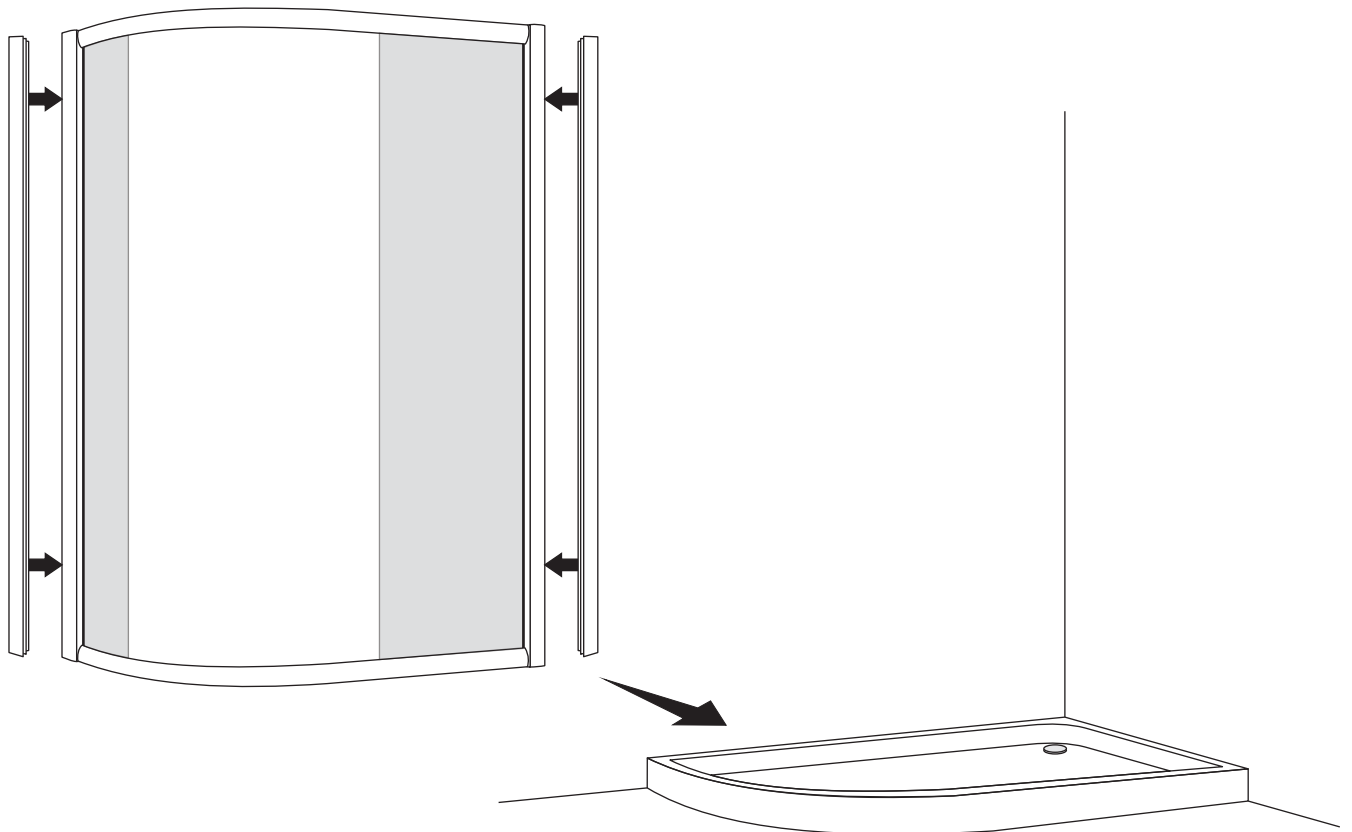


3.5x35mm



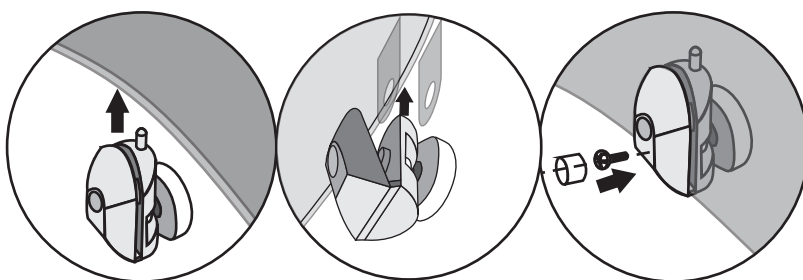
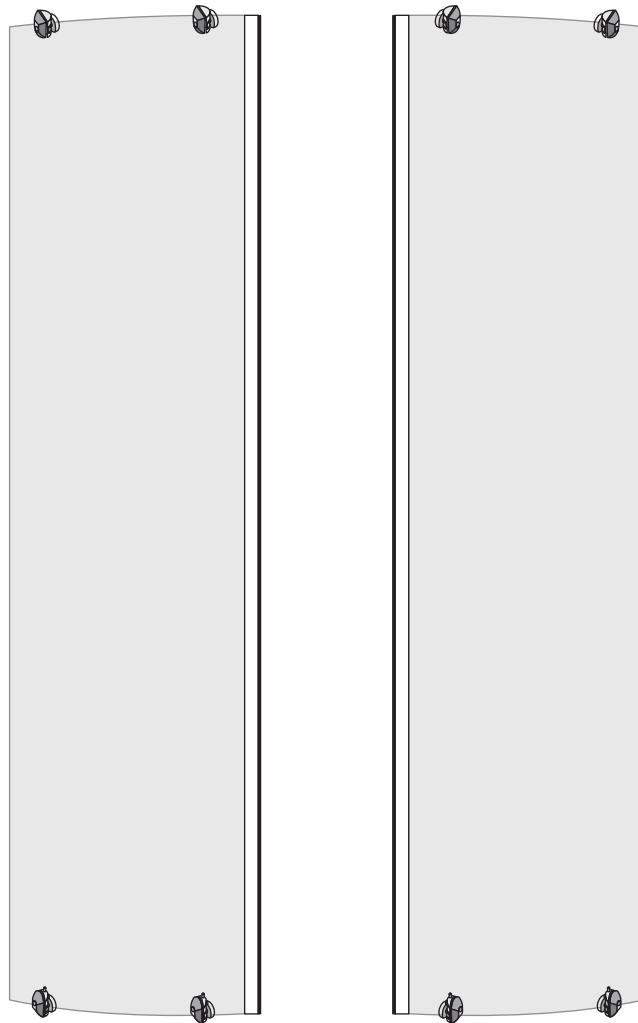
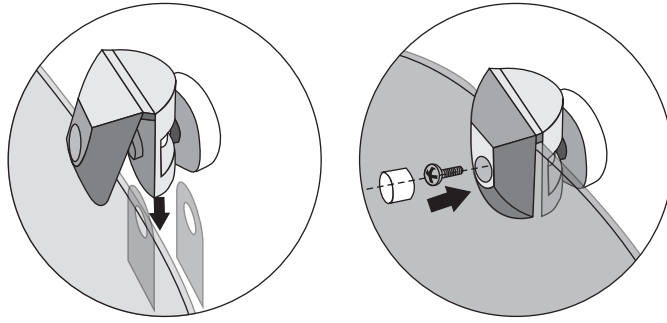
Jump [Right]

Installation Instructions



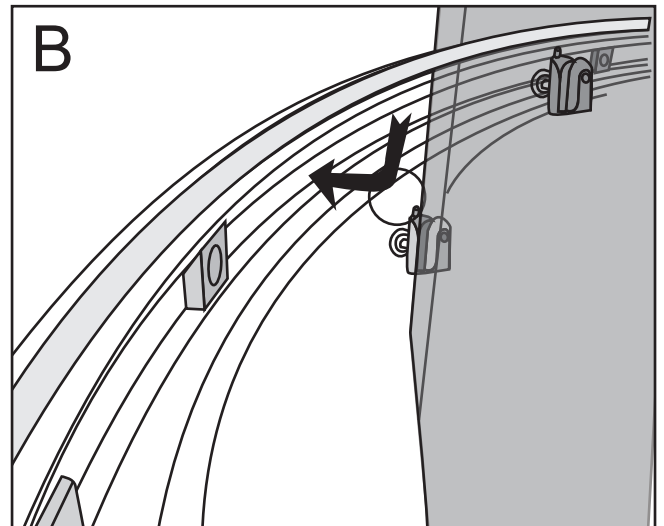
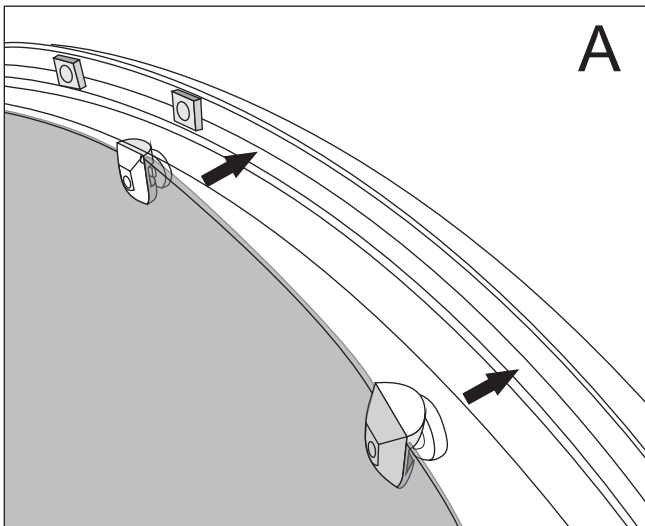
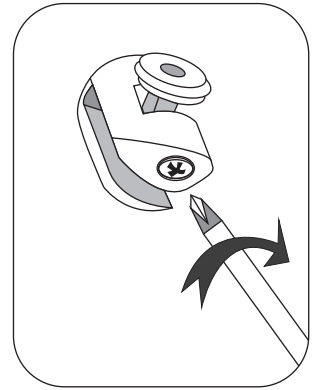
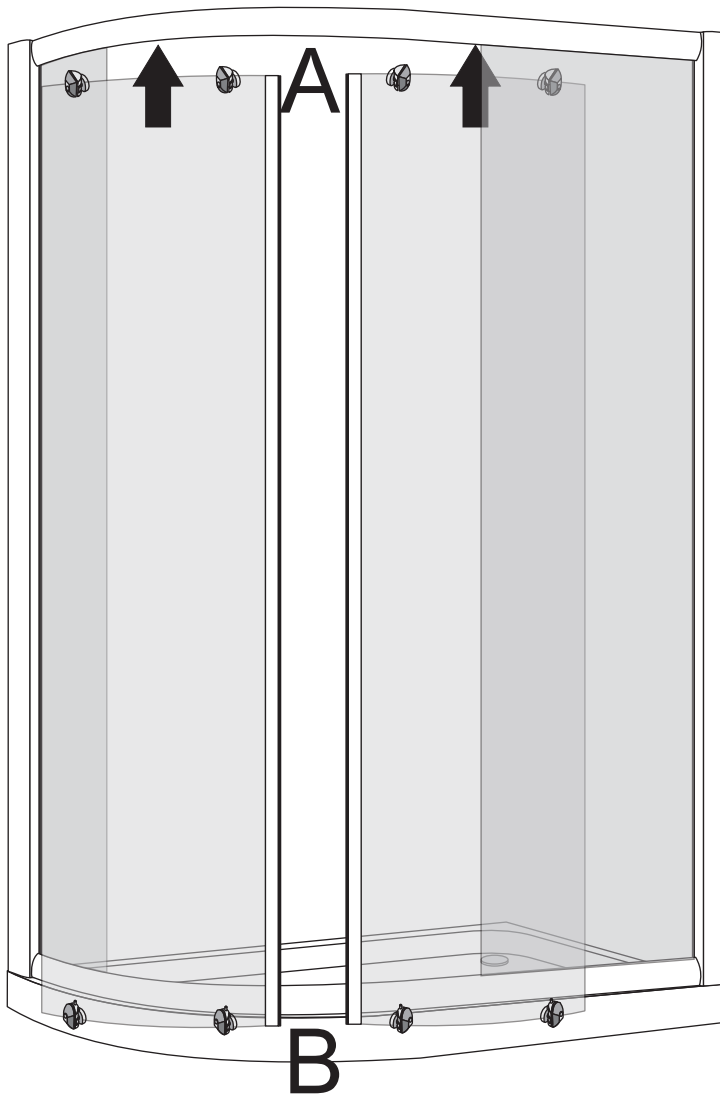
Jump [Right]

Installation Instructions



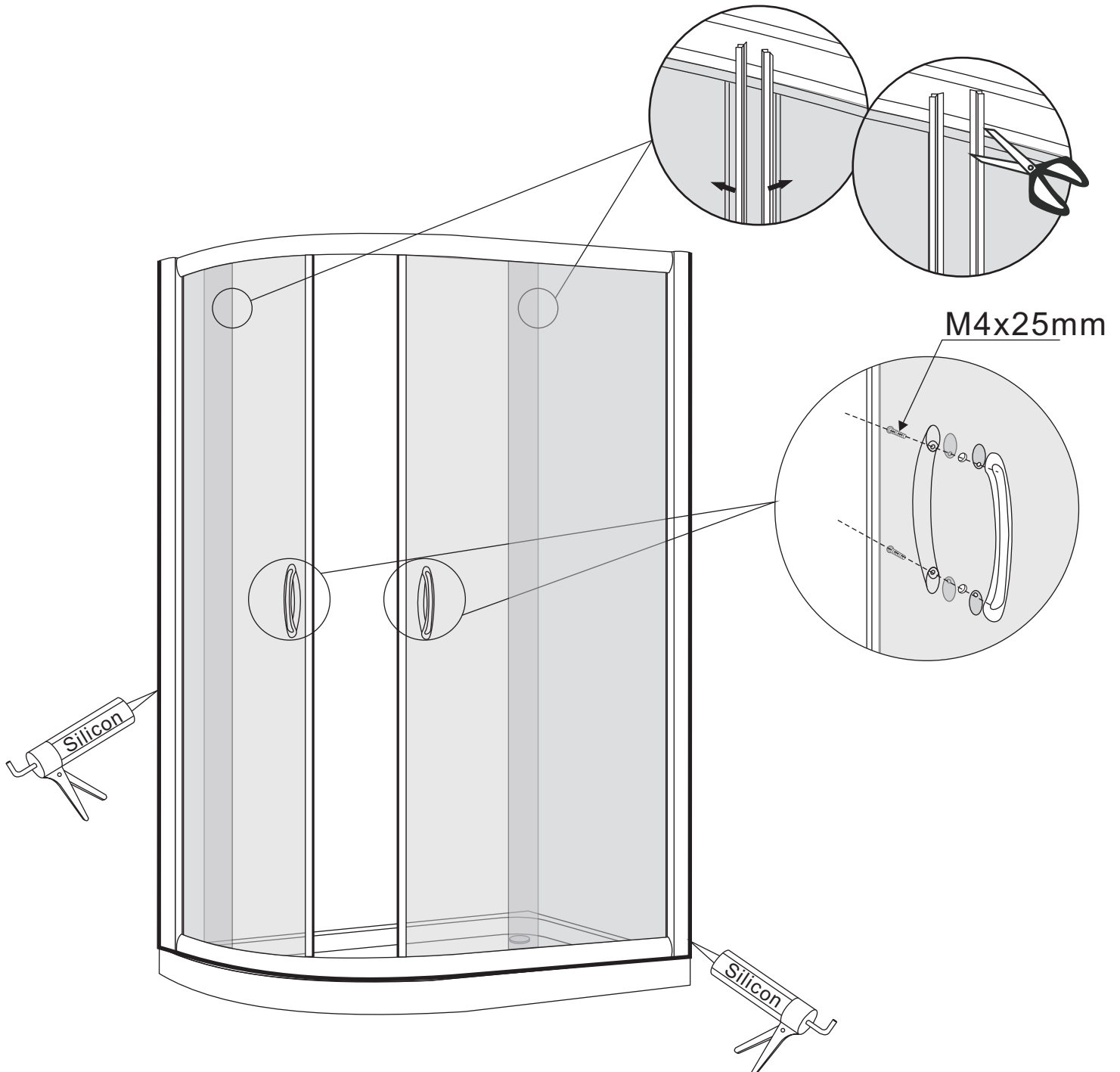
Jump [Right]

Installation Instructions



Jump [Right]

Installation Instructions



Warning: Don't use the shower enclosure until after at least 24 hours, so that the silica gel can be totally dry.