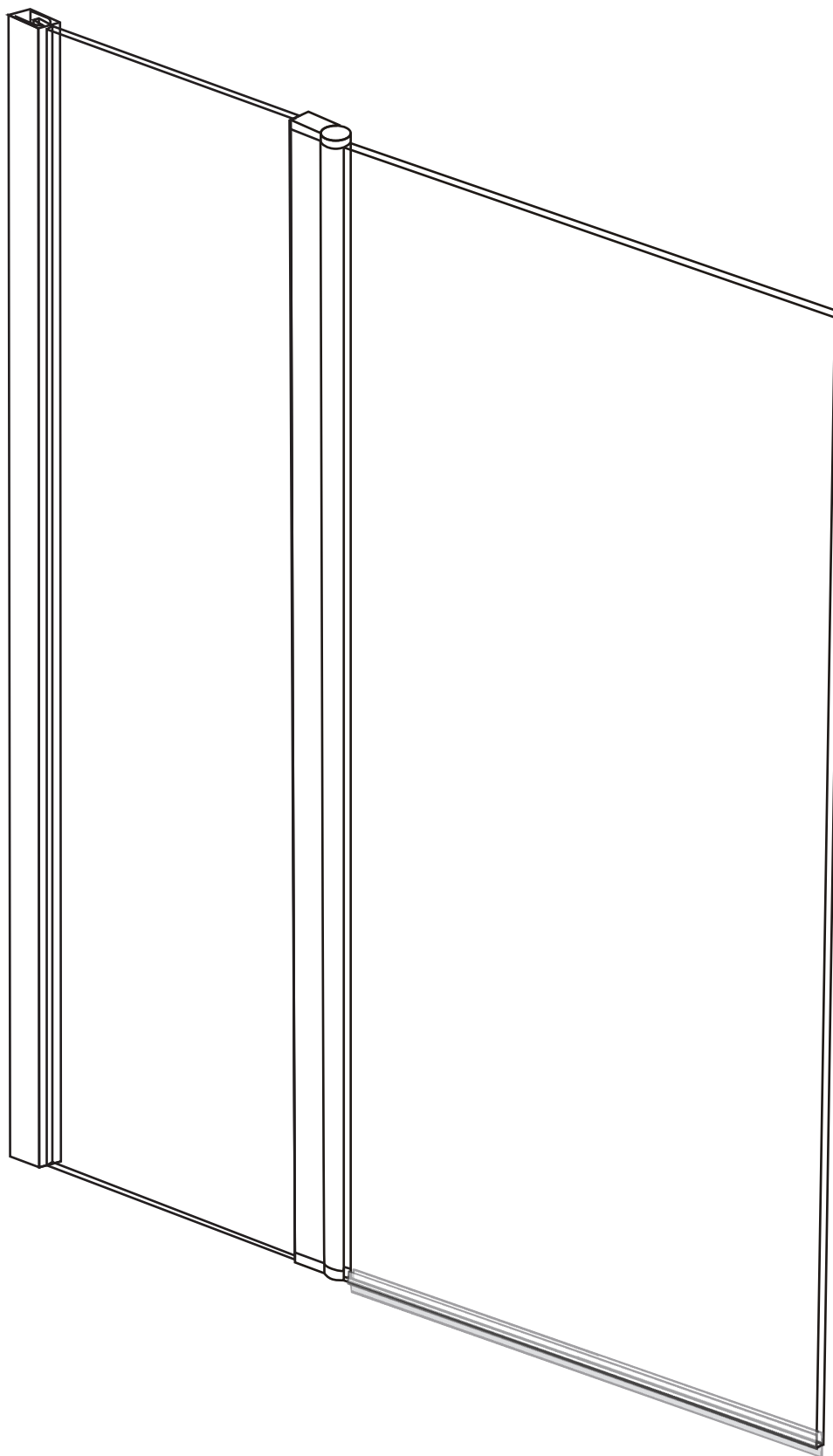


Flow

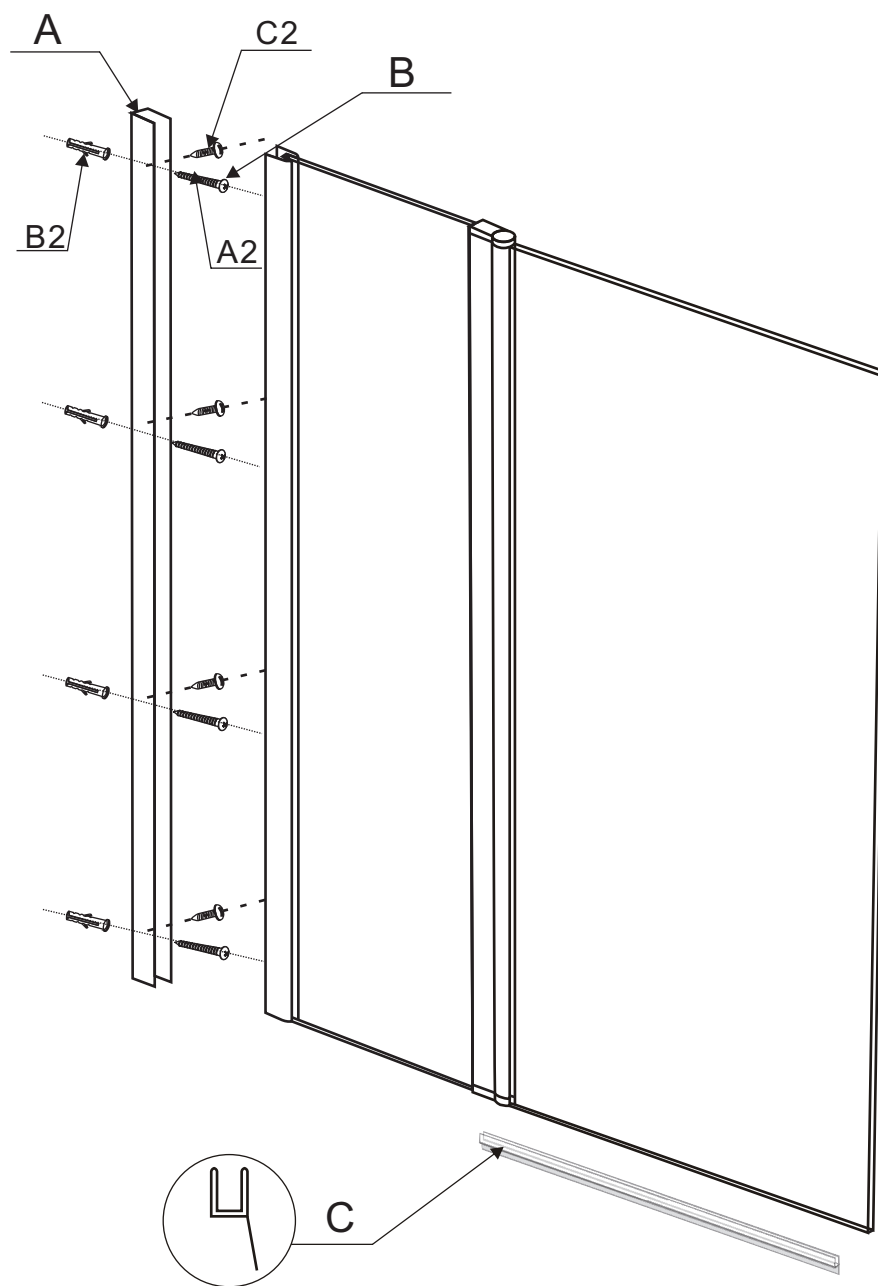
Installation instructions



SIZE : 100*150 CM




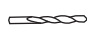
Flow

Installation instructions



Fixing kit includes

Ref	Description	Qty
A	WALL PROFILE	1
B	SIDE PANEL	1
C	VERTICAL SEAL FOR FIXED GLASS	1

Ref	Description	Illustration	Qty
A2	green expandable wall plug		4
B2	stainless steel screws: 4*25		4
C2	stainless steel screws: 4*10		4
D2	Drill beat head 3mm		1

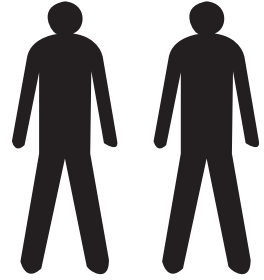
Flow

Installation instructions

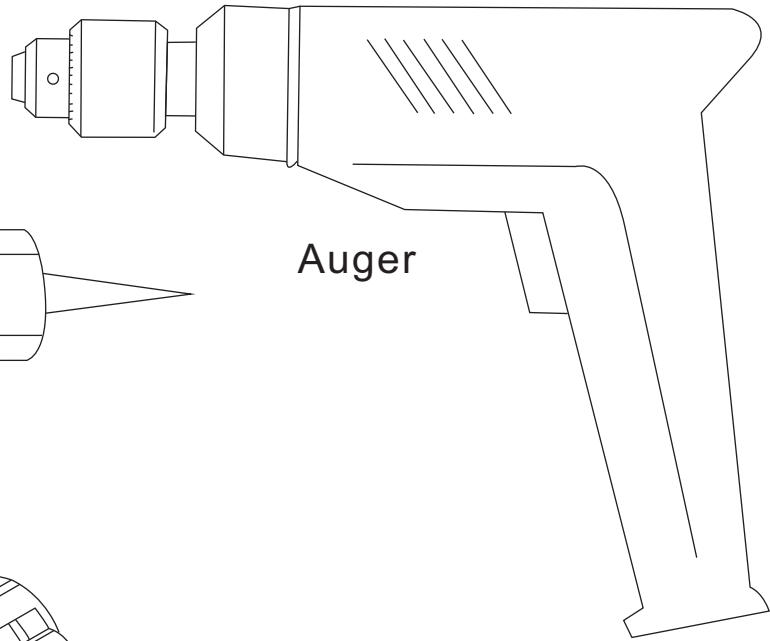
TOOLS REQUIRED(NOT SUPPLIED)

when you're ready to start,make sure that you have the following tools to hand,plenty of space and a clean dry area for assembly.

Two people are needed. Please note:although these instructions are comprehensive,We always recommend that a technically competent installer should undertake installation.

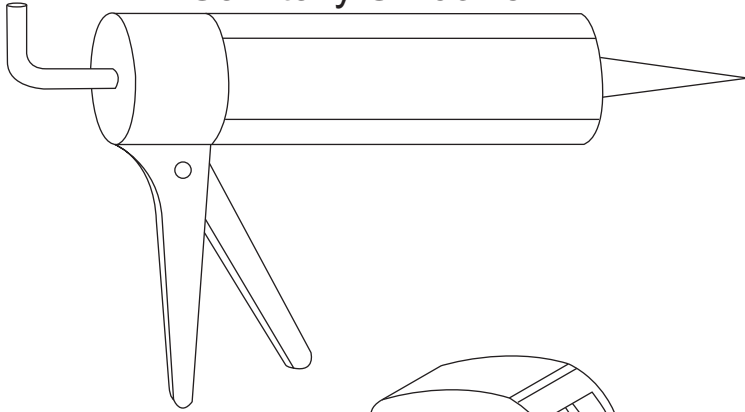


Drill beat head
6mm

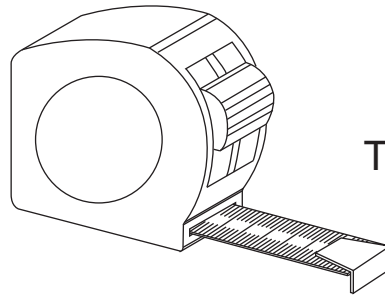


Auger

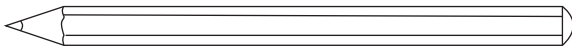
Sanitary Silicone



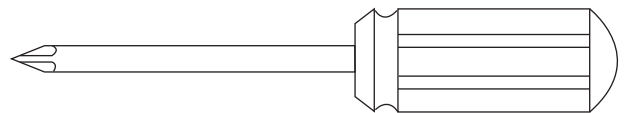
Tape measure



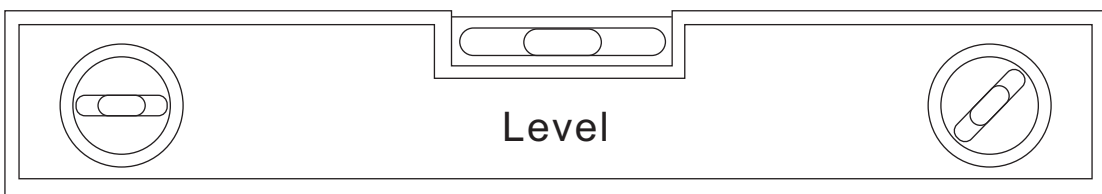
Pencil



Magnetic crosshead schrewdriver

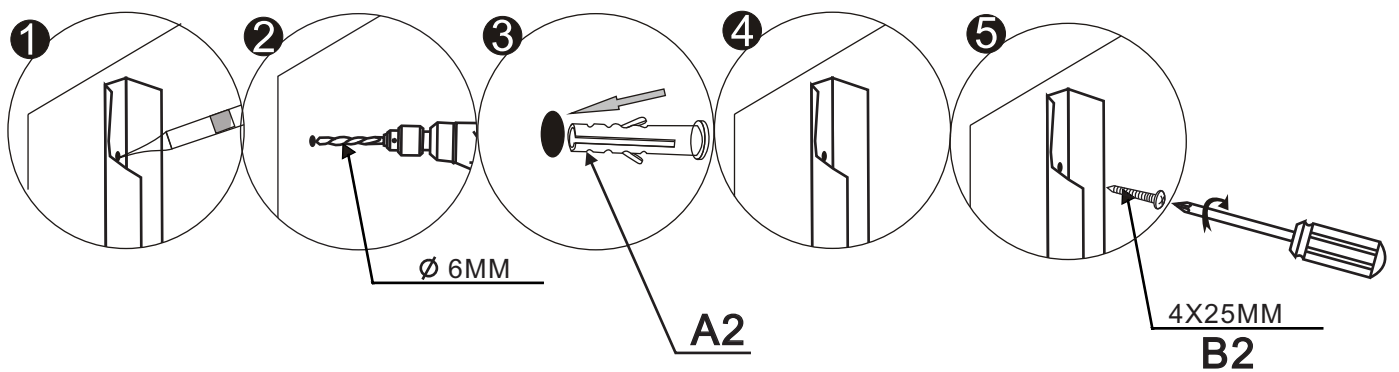
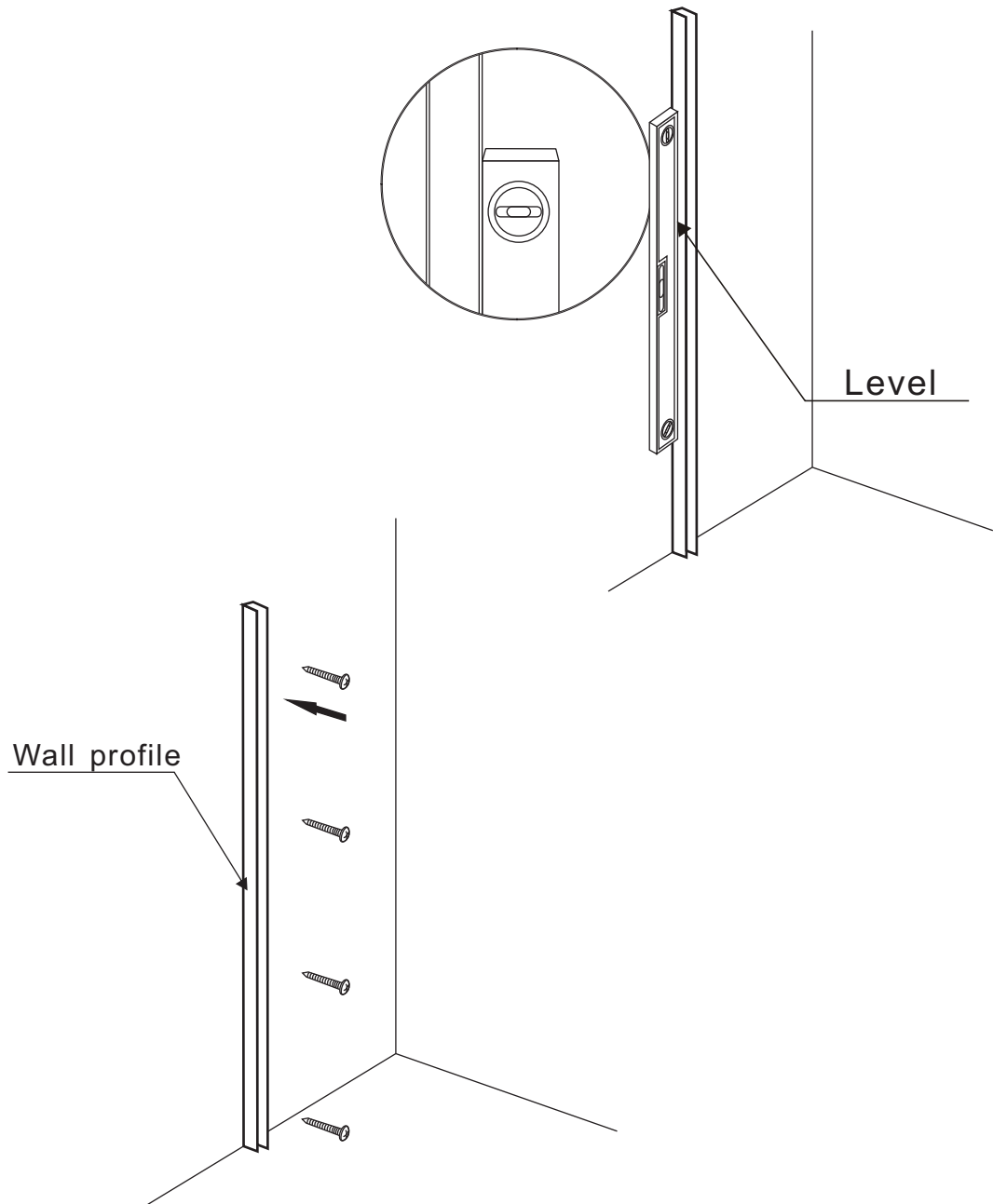


Level



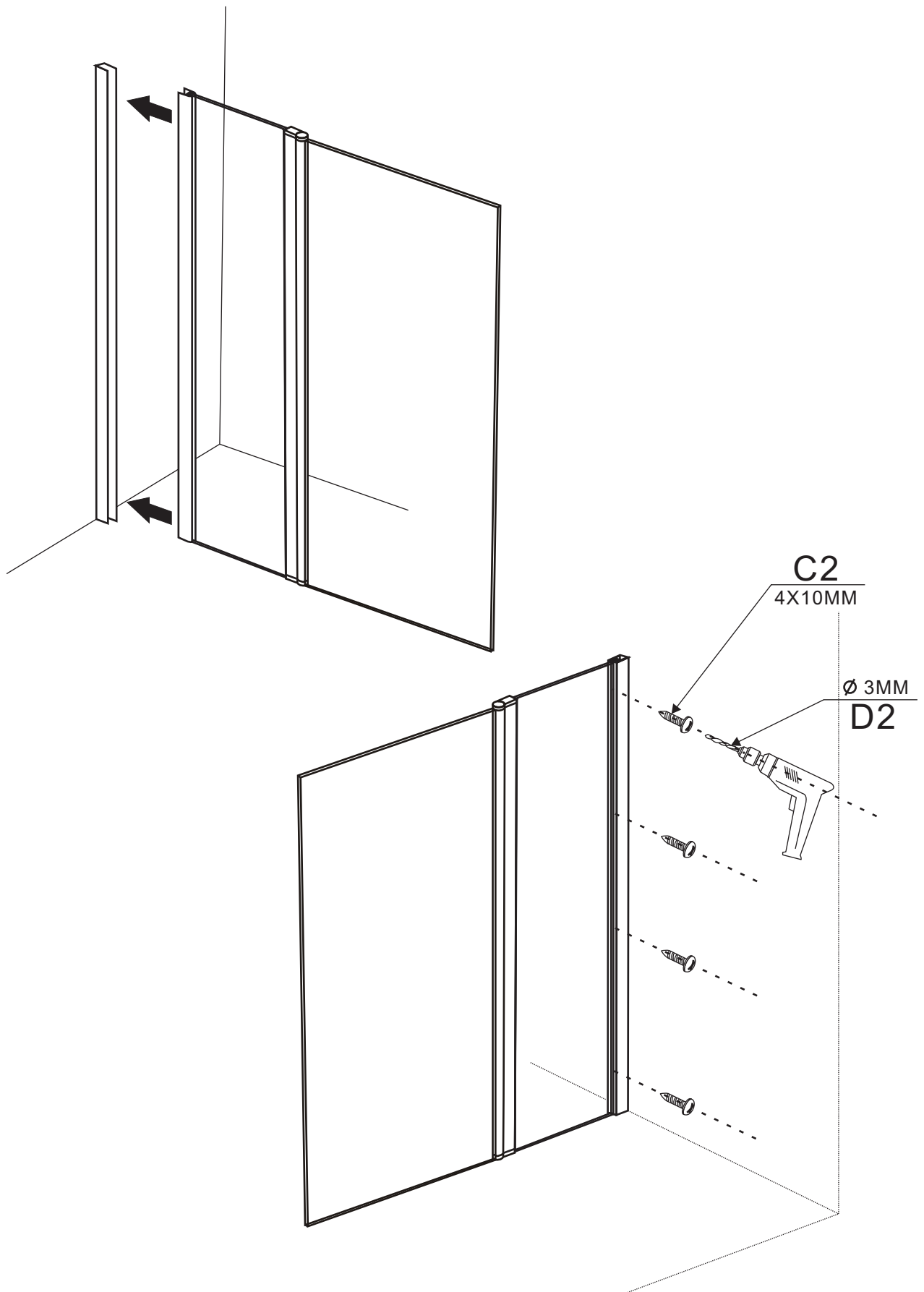
Flow

Installation instructions



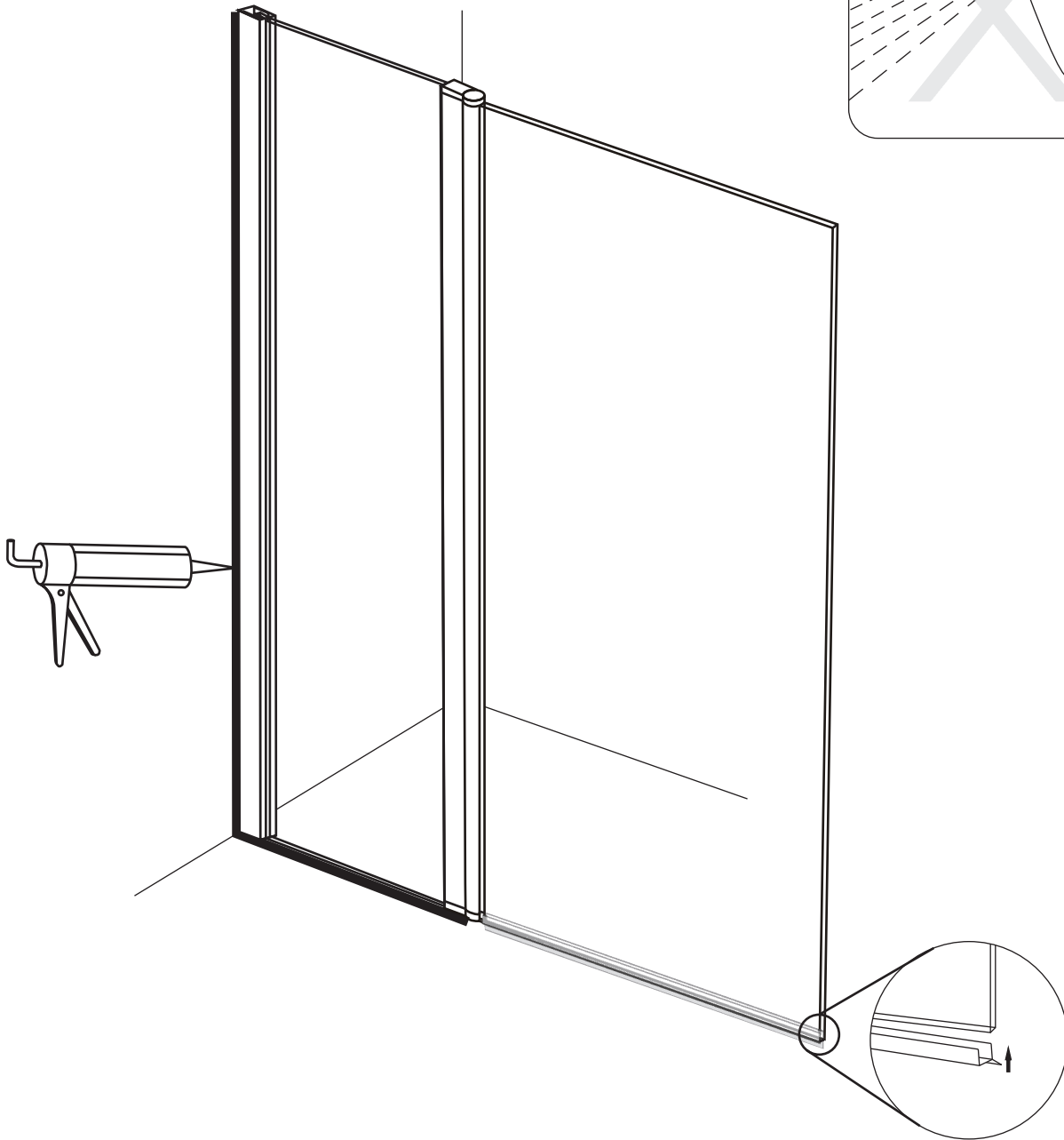
Flow

Installation instructions



Flow

Installation instructions



Warning: Don't use the shower enclosure until after at least 24 hours, so that the silica gel can be totally dry.