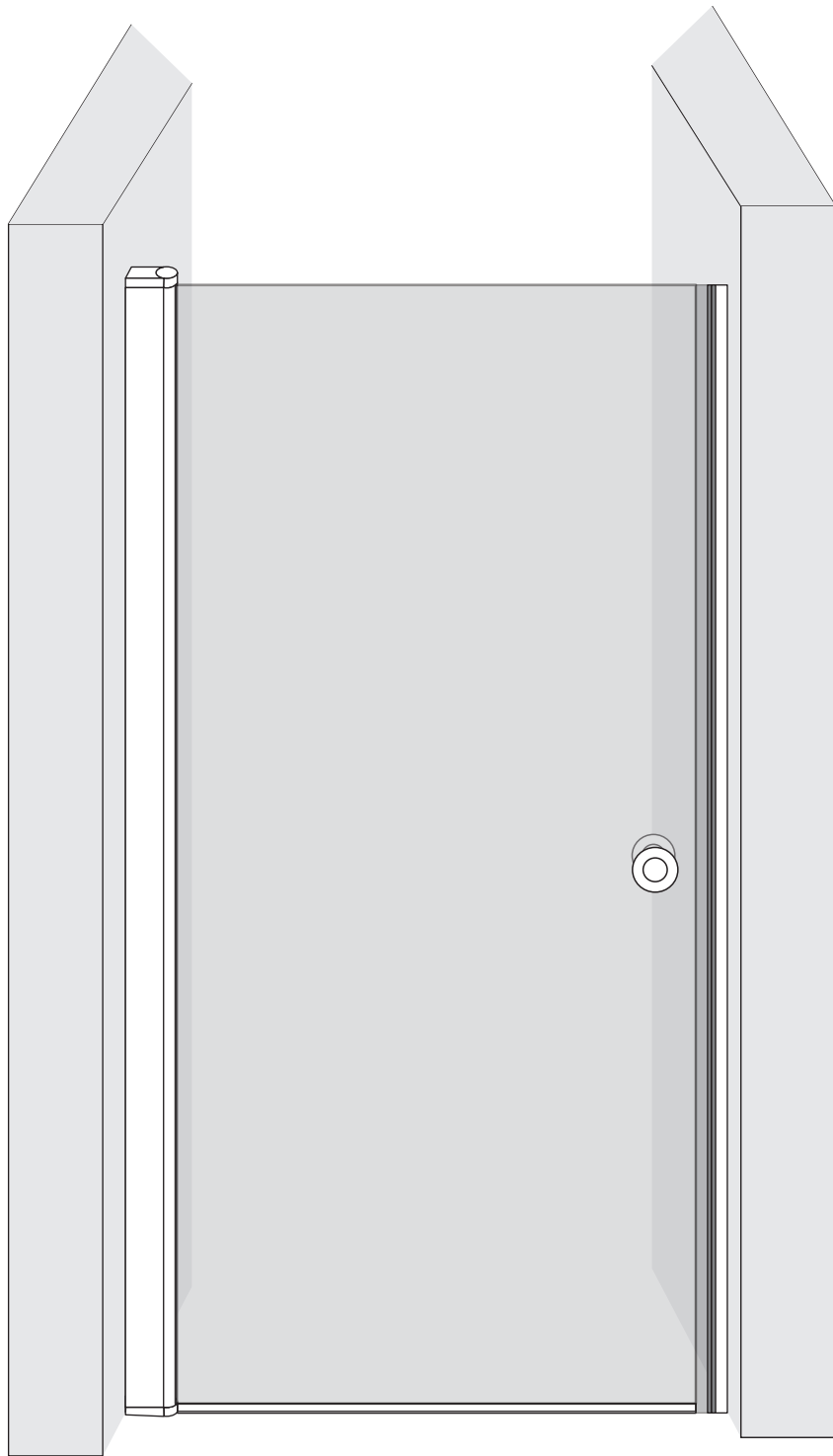


Door New Installation instructions



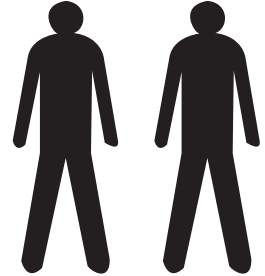
SIZE:75*190CM
SIZE:80*190CM
SIZE:90*190CM

Door New Installation instructions

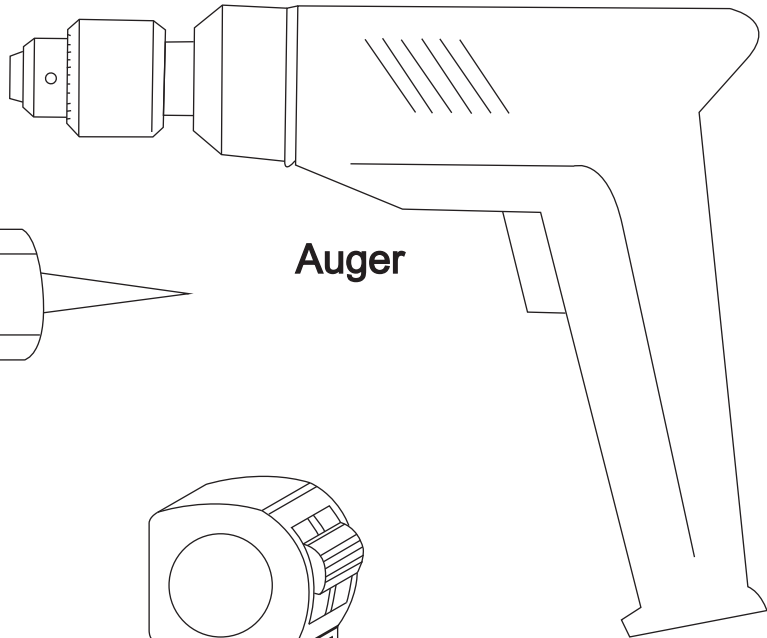
TOOLS REQUIRED(NOT SUPPLIED)

when you're ready to start,make sure that you have the following tools to hand,plenty of space and a clean dry area for assembly.

Two people are needed. Please note:although these instructions are comprehensive,We always recommend that a technically competent installer should undertake installation.

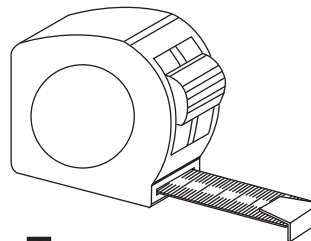
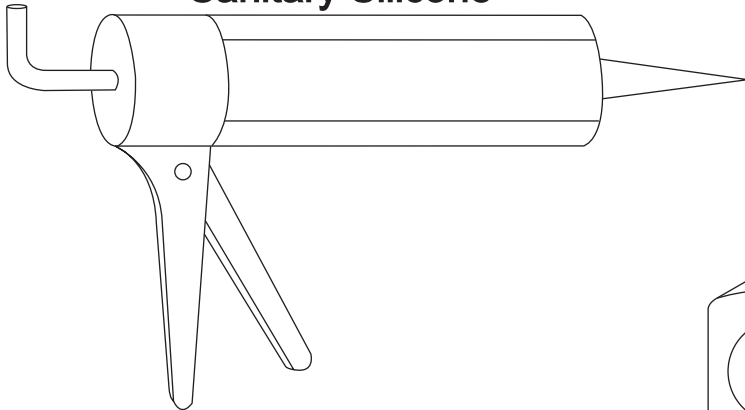


Drill beat head
5.5mm

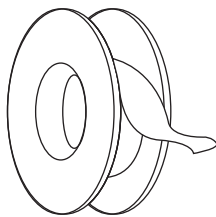


Auger

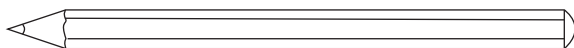
Sanitary Silicone



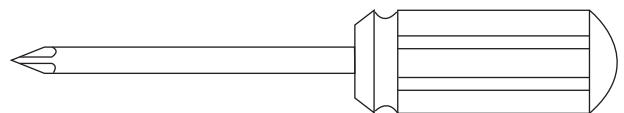
Tape measure



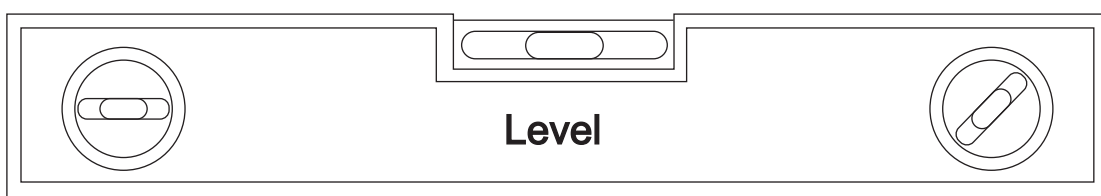
PTFE tape



Pencil

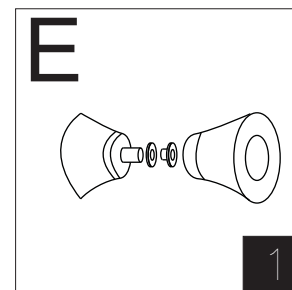
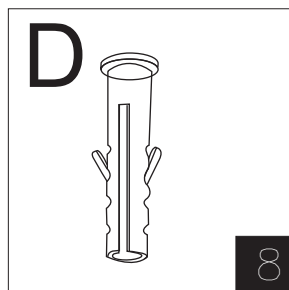
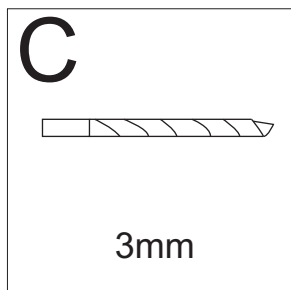
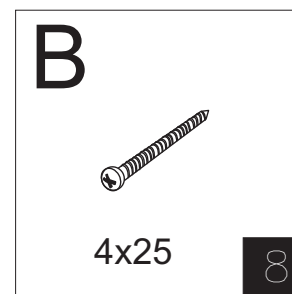
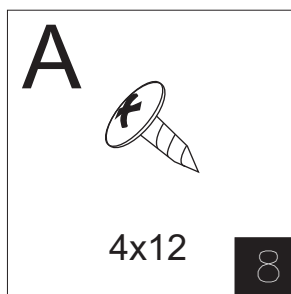
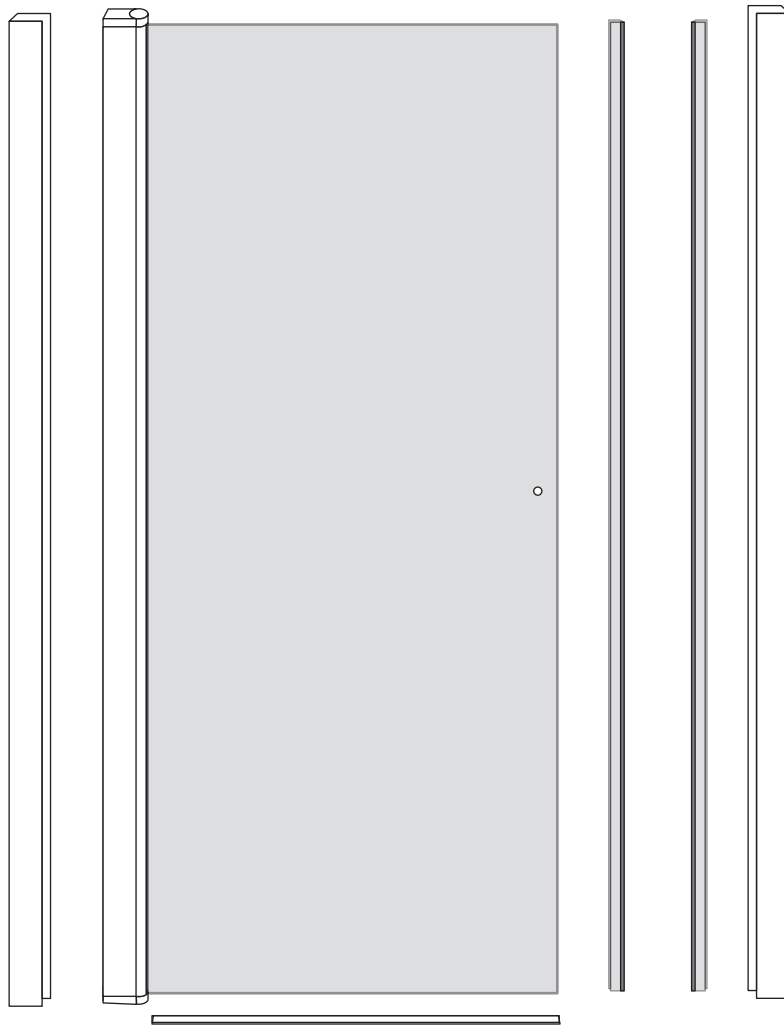


Magnetic crosshead schrewdriver

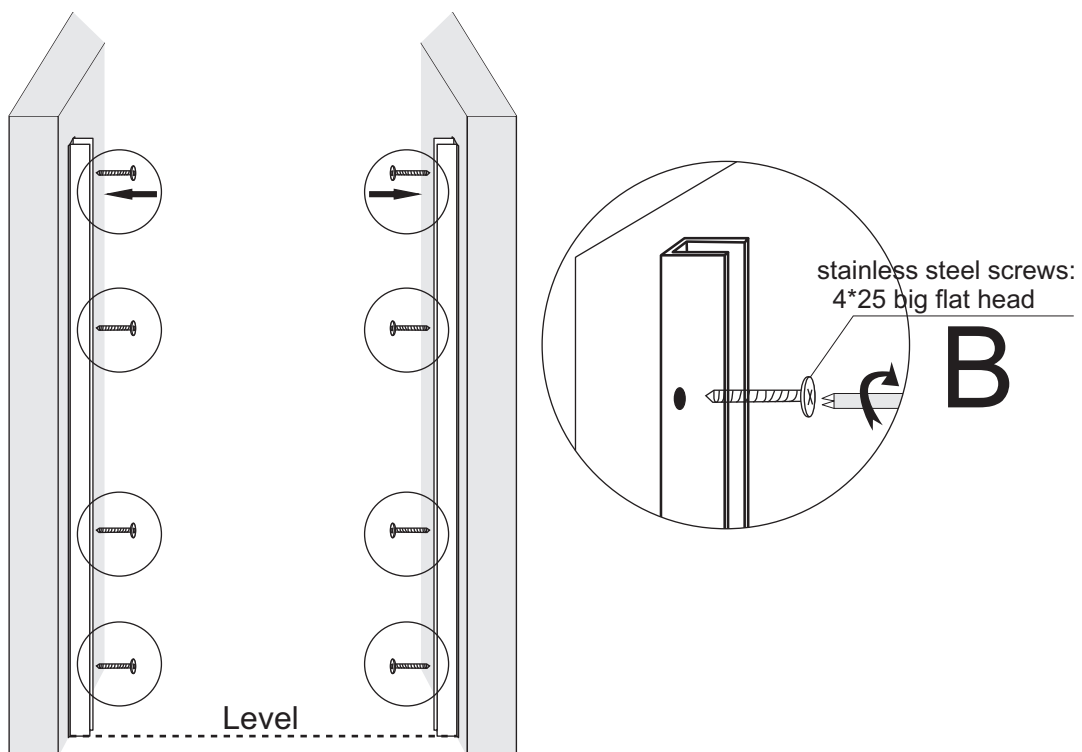
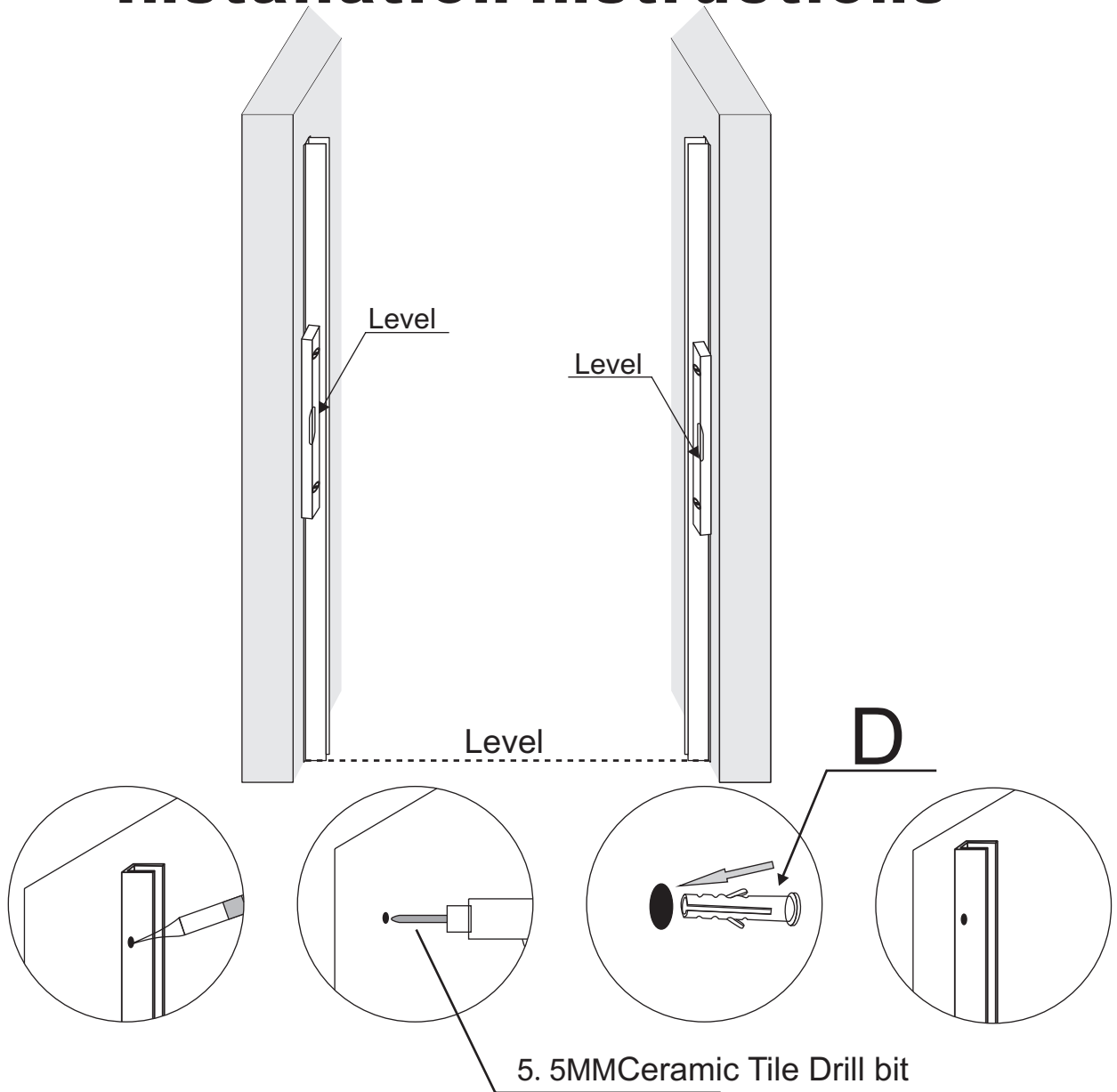


Level

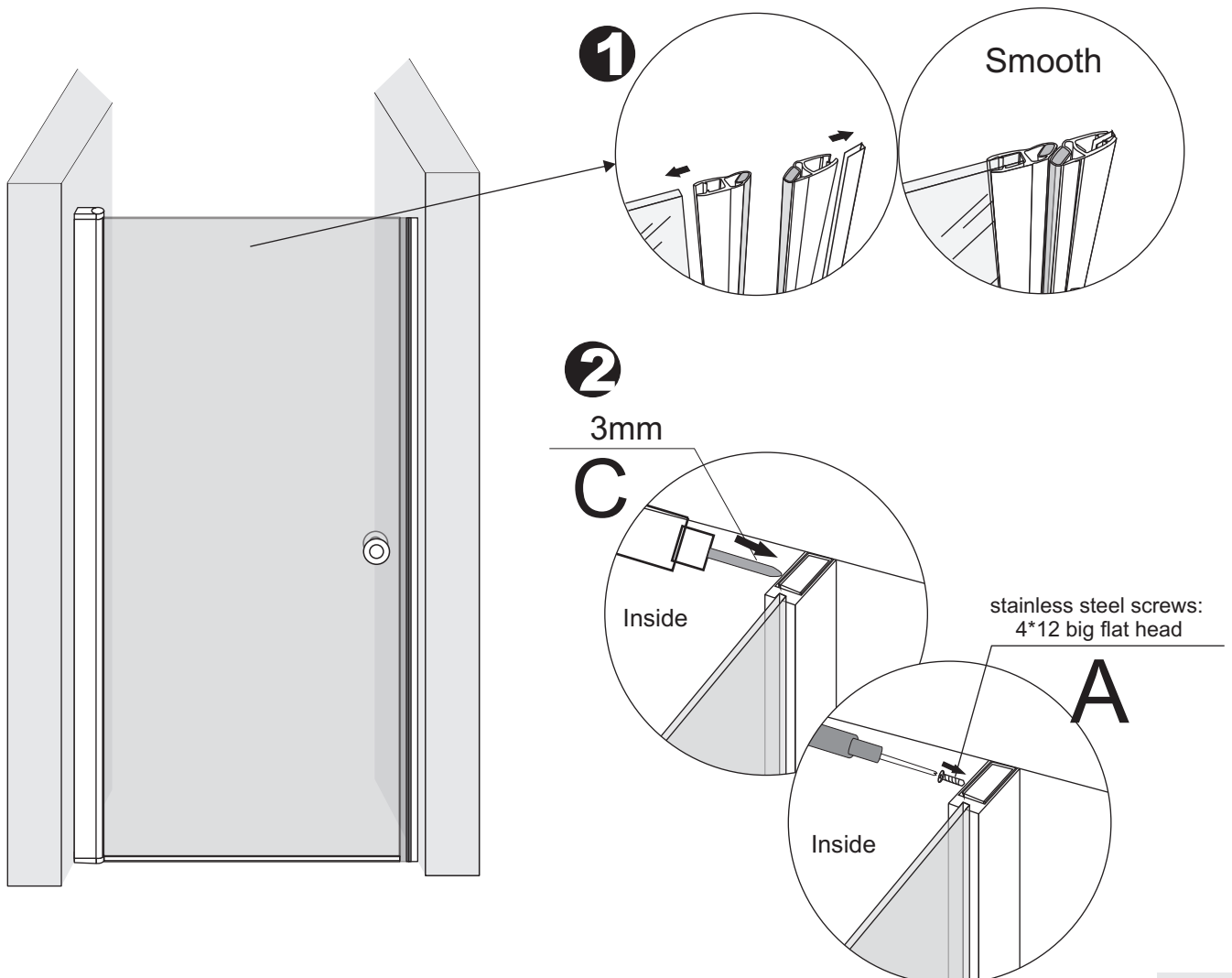
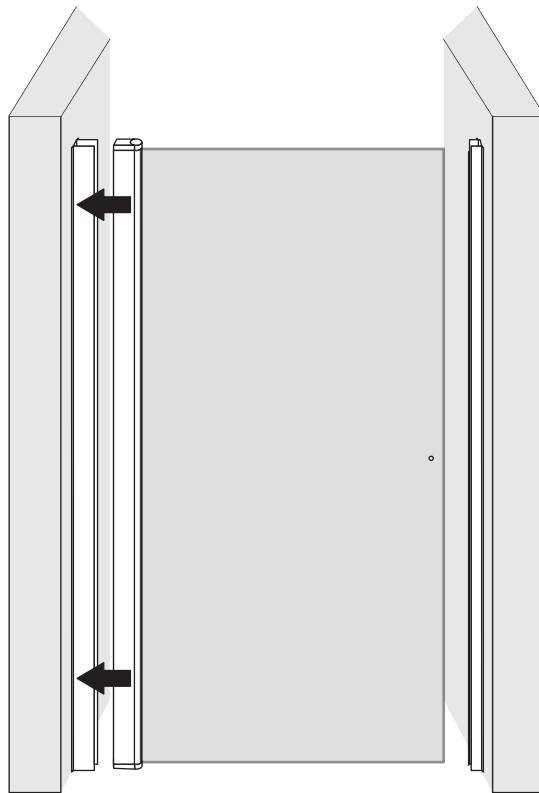
Door New Installation instructions



Door New Installation instructions



Door New Installation instructions



Door New

Installation instructions

